

FEATURES

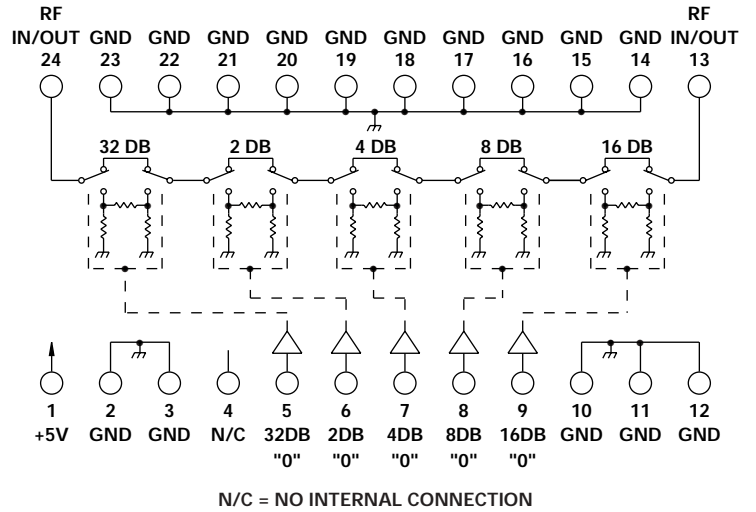
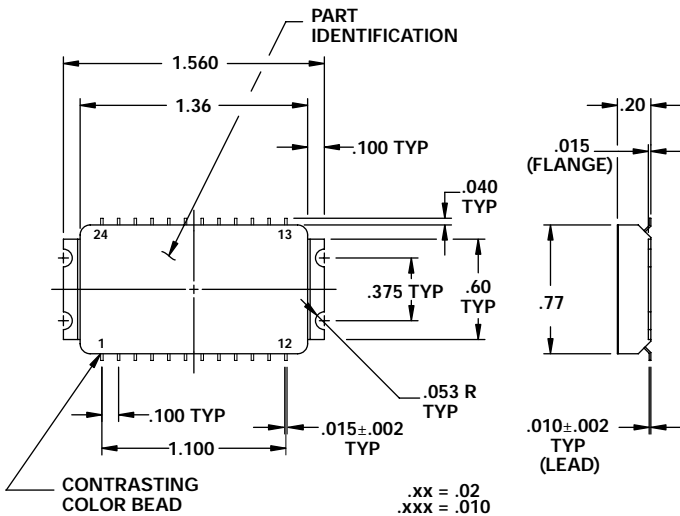
- 10 - 1000 MHz
- 2 dB LSB, 62 dB Range
- 32 nSec Switching Speed
- 18 nSec Transition Time
- TTL Control
- 24 Pin DIP Surface Mount Version
- See DA0857 for 24 Pin DIP Version

5 BIT

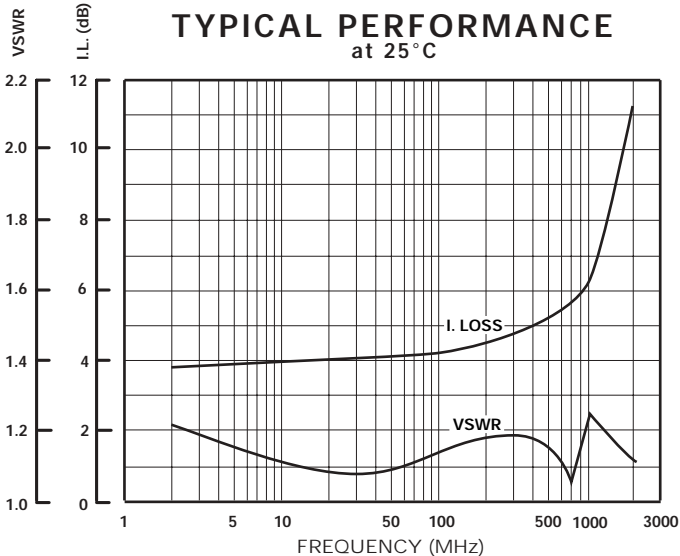


MODEL NO.
DA0757

GaAs 5 Section Attenuator



GUARANTEED PERFORMANCE



Parameter	Min	Typ	Max	Units	Conditions
Operating Frequency	10		1000	MHz	
DC Current		1	5	mA	At +5 VDC Supply
Control Type		TTL			5 Line Logic "0" = Thru Logic "1" = Attenuation
Control Current	High	0	±40	µA	V _{IH} = +3.0 V
	Low	0	±40	µA	V _{IL} = +0.5 V
Insertion Loss		4.0	5.2	dB	10 - 100 MHz
		5.6	7.0	dB	100 - 1000 MHz
Attenuation	LSB		2	dB	
	Range	0	62	dB	2, 4, 8, 16, 32
	Accuracy			dB	± (0.25 dB ± 2% of Atten. Setting in dB)
VSWR		1.2/1	1.4/1		
Impedance		50		OHMS	
Switching Speed		32	50	nSec	50% TTL - 90% / 10% RF
Transition (Rise/Fall) Time		18		nSec	10% / 90% - 90% / 10% RF
Switching (Video) Transients		215		mV	Peak Value
Intercept Points	2nd	+65		dBm	70 MHz / 50 MHz
	3rd	+44		dBm	35 MHz / 50 MHz
RF Power	Operate	+13	+10	dBm	0.1 dB Compression
	No Damage		+27	dBm	
Operating Temperature	-55	+25	+125	°C	TA